

## DCH5 Series

5 Watts

### Data Sheet

**Total Power:** 5 Watts  
**Input Voltage:** 100 - 240 Vac  
**# of Outputs:** Single

### SPECIAL FEATURES

- USB Switching wallmount power supply
- Universal AC input
- Available in various country AC plugs
- CE Mark EMC & LVD & ErP 2011
- Regulated output
- Overload and short circuit protection
- Constant voltage, constant current
- Energy Star Efficiency Level V
- Eup compliant
- Built in EMI filter (CISPR 22 Class B)
- Cable less with - USB-A receptacle

### SAFETY

- UL + cUL 60950-1
- TUV 60950-1
- NEMKO 60950-1
- NSW 60950-1
- C-Tick 60950-1
- CE EMC & LVD & ErP 2011 for EU & UK versions



### Electrical Specifications

Input	
Input range:	100 - 240 Vac (wide range)
Frequency:	47 - 63 Hz
EMI/RFI:	FCC Part 15, Subpart B Class B & EN55022 (CISPR 22) Class B & EMC
Safety ground leakage current:	20 $\mu$ A @ 60 Hz, 264 Vac input
Output	
Voltage (Vo):	5 V (4.75 - 5.25 V)
Maximum Power (Po):	5 W
Hold-up time:	10 ms. typical at full load @ 115 Vac/60 Hz
Overvoltage protection:	7 V max. Latching type
Overload protection:	Output short circuit protection auto recover Overload protected 110 - 150% above maximum rating
Output:	USB Type A receptacle
Connector Pinout:	Pin 1: +V, Pin 2 and Pin 3 connected together Pin 4: Ground

### Environmental Specifications

Operating temperature:	0° to 40 °C ambient
Storage temperature:	-20 °C to +70 °C
Electromagnetic susceptibility:	Designed to meet EN55082-1
Humidity:	Operating; non-condensing 20% to 90% RH
Vibration:	Per IEC 60068-2-6

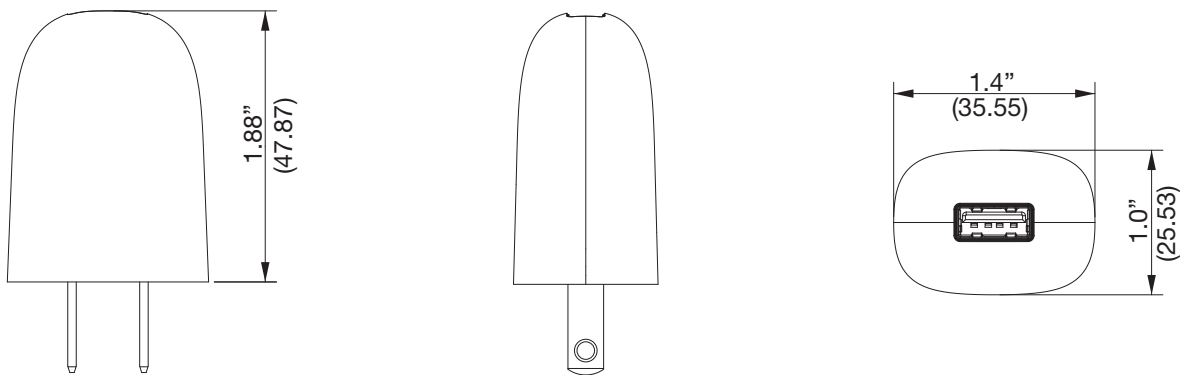
### Ordering Information

Model Number	Maximum Power	Output Voltage	Minimum Load	Maximum Load	Ripple P/P (PARD) <sup>1</sup>	Connector
DCH5-050US	5 W	5 V	0	1 A	200 mV	USB-A
DCH5-050EU	5 W	5 V	0	1 A	200 mV	USB-A
DCH5-050UK	5 W	5 V	0	1 A	200 mV	USB-A
DCH5-050AU	5 W	5 V	0	1 A	200 mV	USB-A

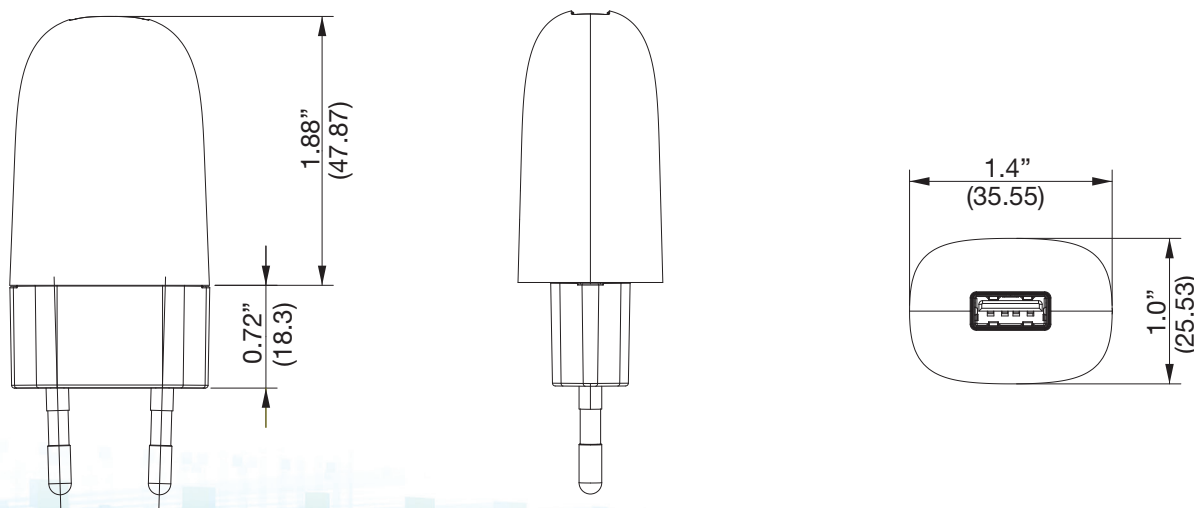
1. Peak-to-peak with 20 mHz bandwidth and 10  $\mu$ F (tantalum capacitor) in parallel with a 0.1  $\mu$ F capacitor at rated line voltage and load ranges.
2. Output should not be grounded for EMI purpose.

### Mechanical Drawing

DCH5-050US

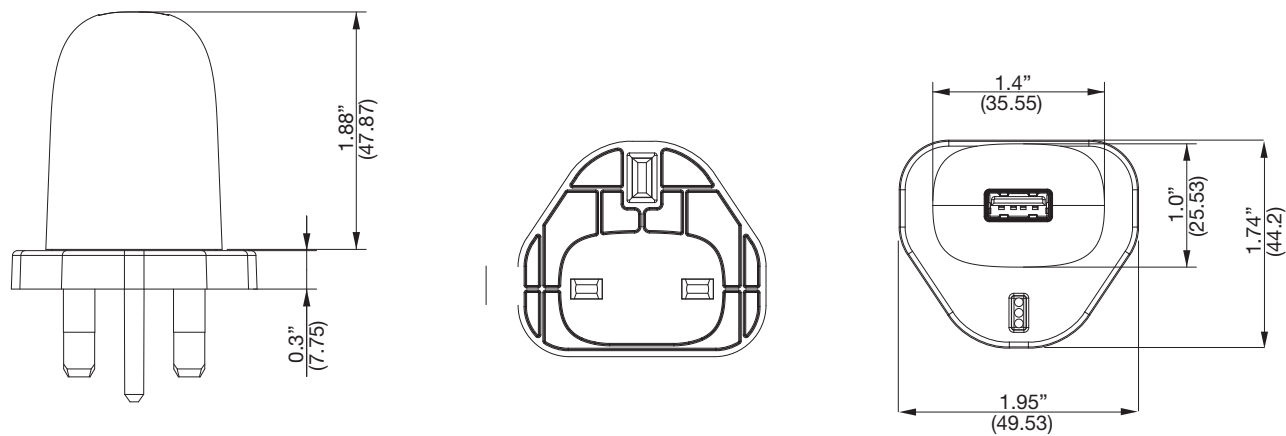


DCH5-050EU

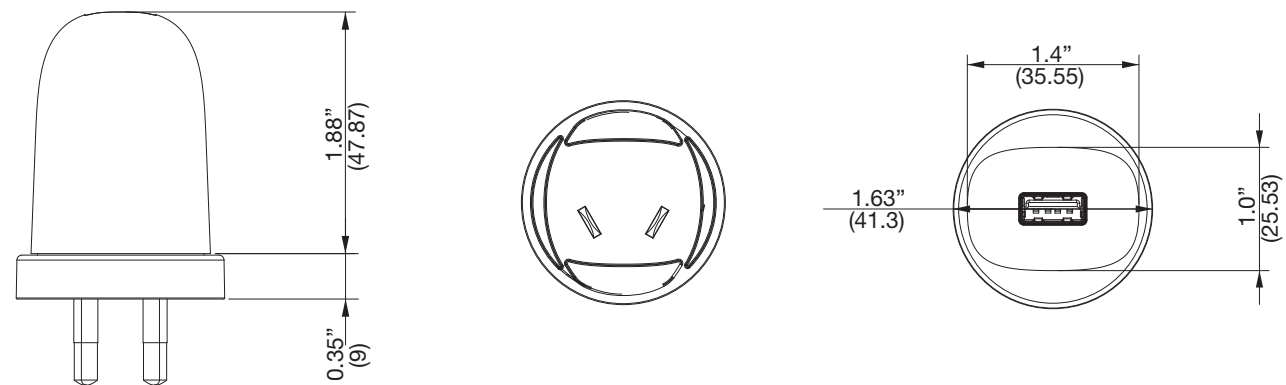


Mechanical Drawing

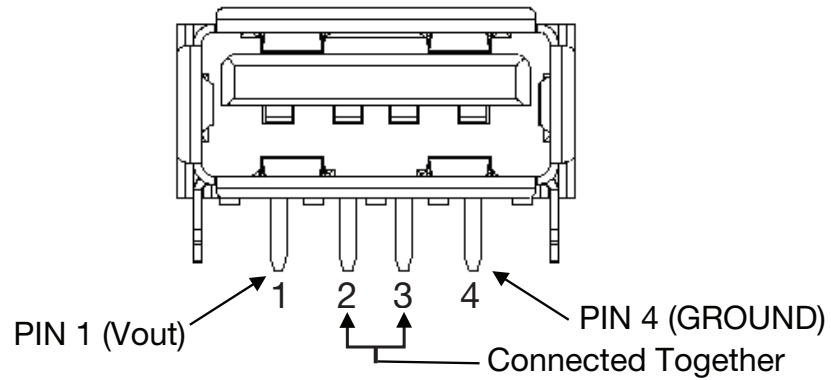
DCH5-050UK



DCH5-050AU



## Pin Assignments



### Pin Numbers

Notes:

1. Specifications subject to change without notice.
2. All dimensions in inches (mm), tolerance is  $\pm .02$ ".
3. Warranty: 2 years
4. Weight: 0.144 lb./0.066kg.

## WORLDWIDE OFFICES

### Americas

2900 S.Diablo Way  
Tempe, AZ 85282  
USA  
+1 888 412 7832

### Europe (UK)

Waterfront Business Park  
Merry Hill, Dudley  
West Midlands, DY5 1LX  
United Kingdom  
+44 (0) 1384 842 211

### Asia (HK)

14/F, Lu Plaza  
2 Wing Yip Street  
Kwun Tong, Kowloon  
Hong Kong  
+852 2176 3333

**ARTESYN**<sup>™</sup>  
EMBEDDED TECHNOLOGIES

[www.artesyn.com](http://www.artesyn.com)

While every precaution has been taken to ensure accuracy and completeness in this literature, Artesyn Embedded Technologies assumes no responsibility, and disclaims all liability for damages resulting from use of this information or for any errors or omissions. Artesyn Embedded Technologies, Artesyn and the Artesyn Embedded Technologies logo are trademarks and service marks of Artesyn Embedded Technologies, Inc. All other names and logos referred to are trade names, trademarks, or registered trademarks of their respective owners.  
© 2014 Artesyn Embedded Technologies, Inc.

For more information: [www.artesyn.com/power](http://www.artesyn.com/power)  
For support: [productsupport.ep@artesyn.com](mailto:productsupport.ep@artesyn.com)